

FSMMD - 69

ergonomic operator seat unit



The FSMMD- 69



is an electric full adjustable crane operator unit made in steel.

The design is focused on a maximum of ergonomic and comfort during crane operations and for the drivers resttime.

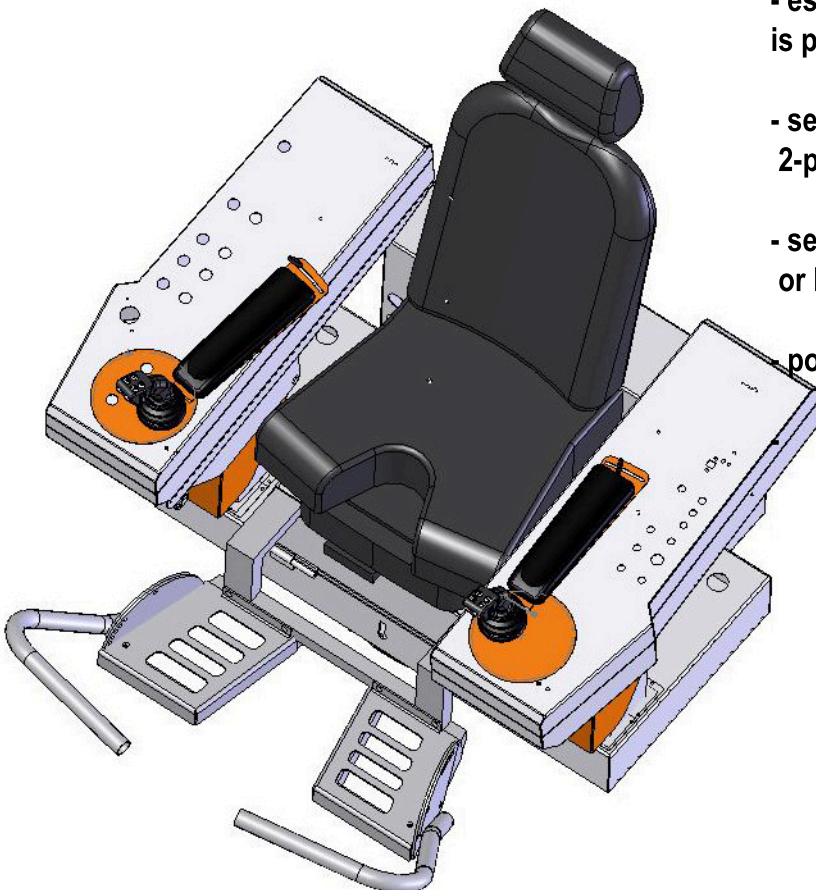
The FSMMD-69 is realized according to ergonomic aspects for relaxed work with various electrical and manual technical adjustments to meet the standards for modern seat and adjustment comfort.

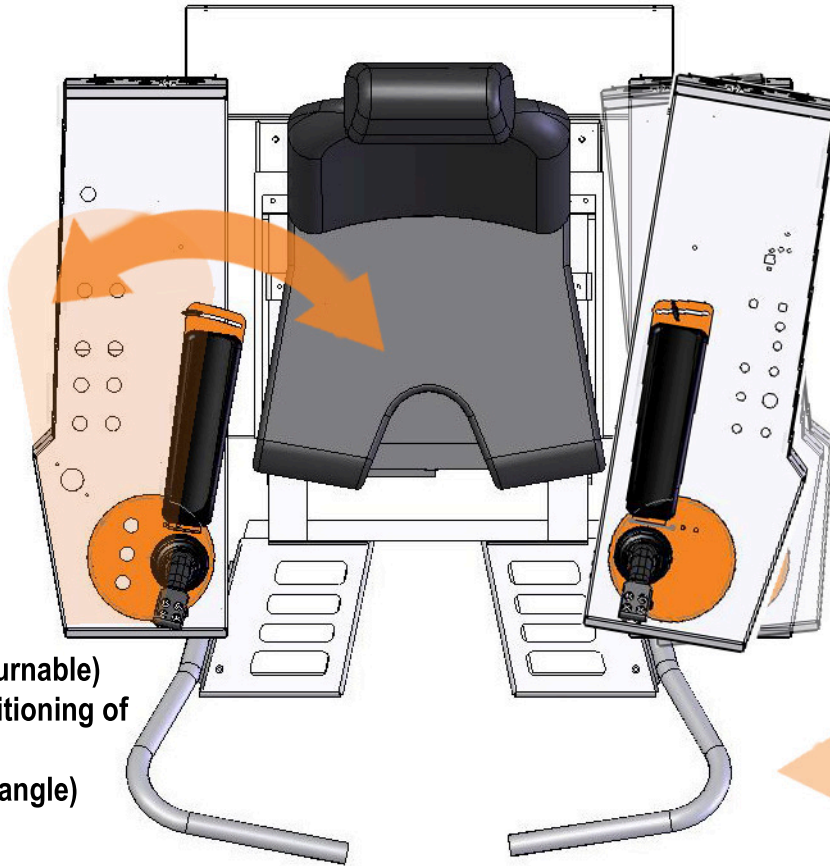
The specific design of the FSMMD- 69/ 2008

- prevents lower-back and neck problems
- the FSMMD is fixed at the bottom of a cabin
- max rotation 270°
- our seat arrangement is fully adjustable, designed for male and female- fully adjustable in resttime/ workbreak seat can be positioned in a 180° sleeping position

Specification

- especially for looking downward, the seat is provided with a V- cut for optimum visibility.
- seat is available with a headrest and with a 2-points safety seatbelt.
- seat can be covered with cloth textured surface or leather
- power supply 230/ 24 V, 10 A, for height adjustment



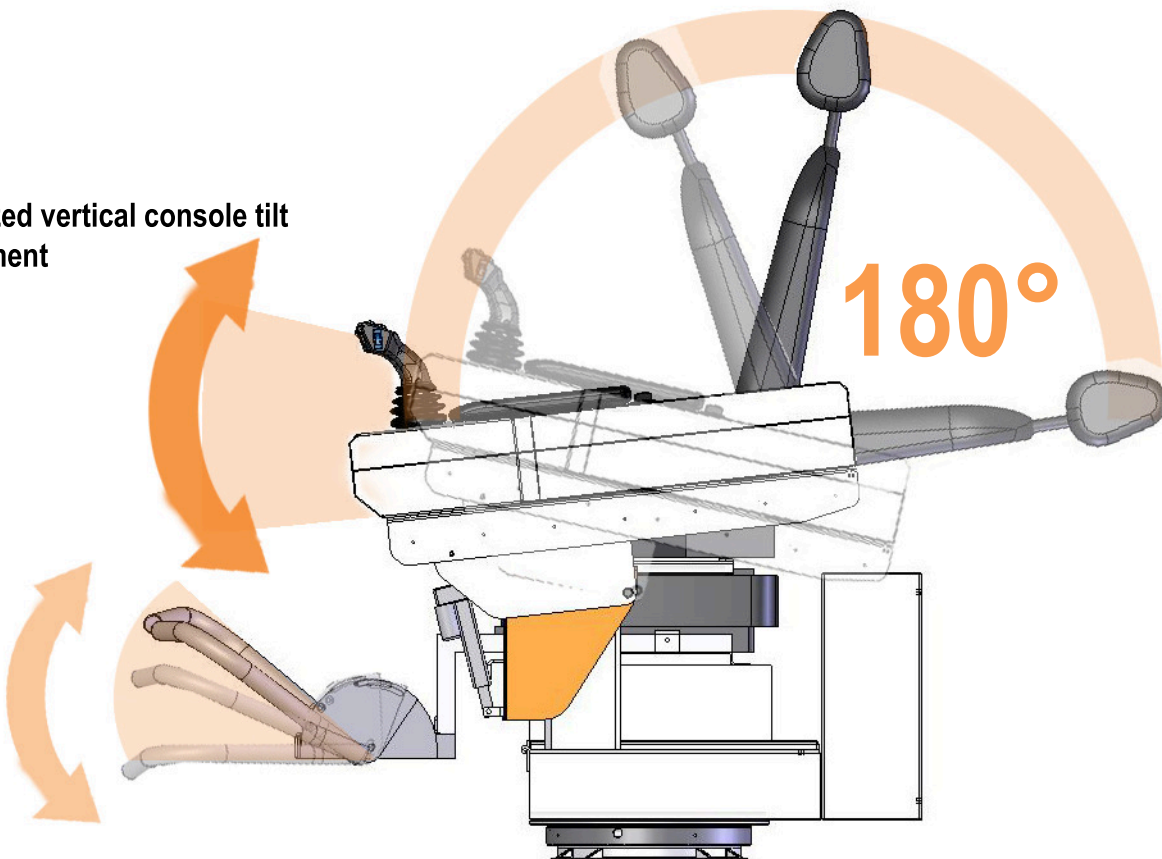


adjustable armrest (turnable)
for an ergonomic positioning of
master controller
(controlling direction angle)

horizontal console tilt
adjustment

Ergonomic footrest adjustment
provides a better sitting position-
especially at
„looking downward operation“

motorized vertical console tilt
adjustment



180°

