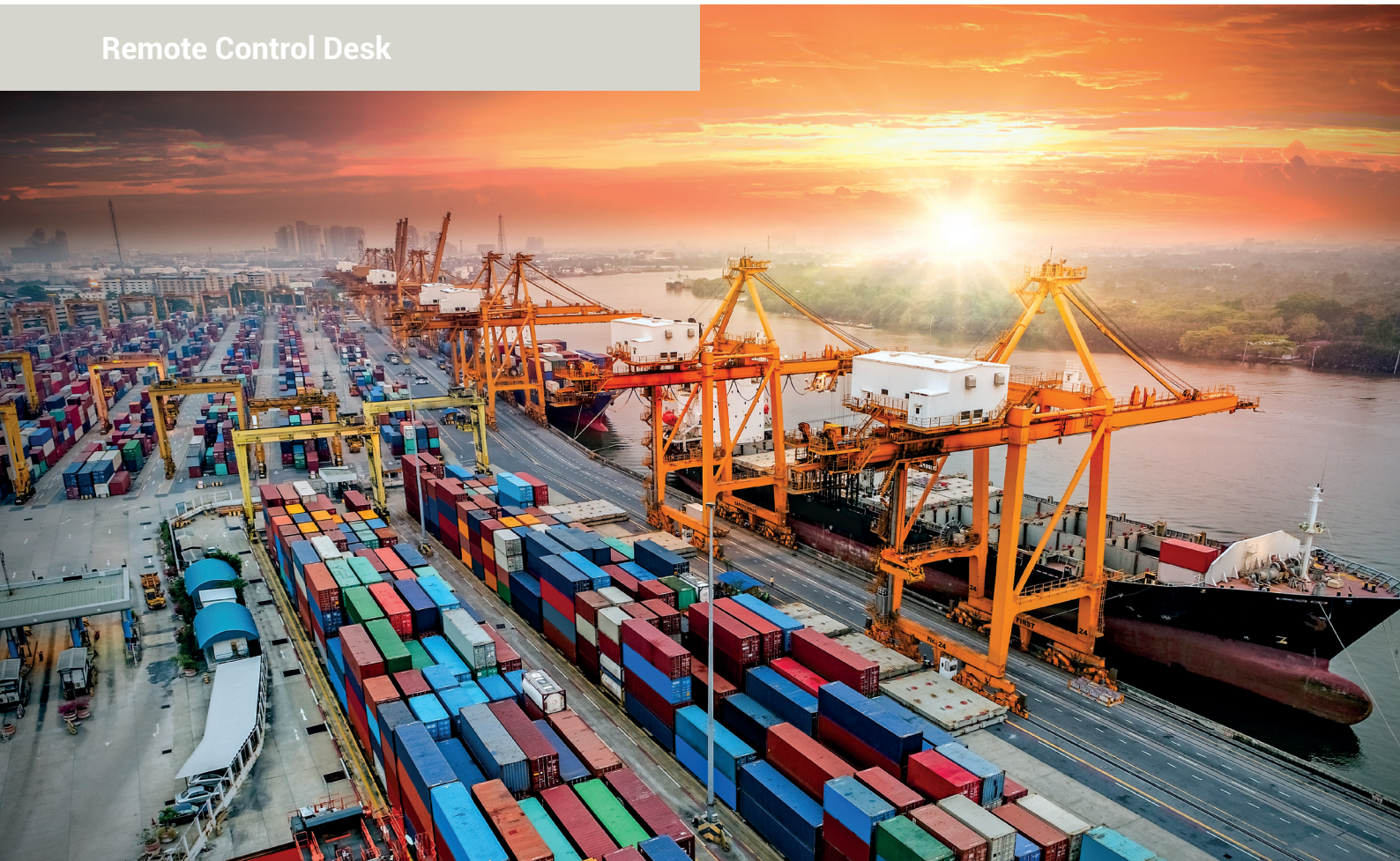


# RCD

Remote Control Desk





## BENEFITS

- Made in Germany
- Optimal placement of the control devices
- Harmonious relationship between operator and equipment
- Relaxed and low fatigue work environment
- Upmost quality and service life
- Large dealer network providing service worldwide
- Smart, flexible designs allow for plug and play for most applications
- Custom designed solutions per customer requirements

# RCD - Remote Control Desk

Sets standards in ergonomics and functionality.



Max. 8 monitors



Motorised height adjustment table



Motorised height adjustment monitor rail



Motorised depth adjustment monitor rail



Workplace lighting



Keyboard tray

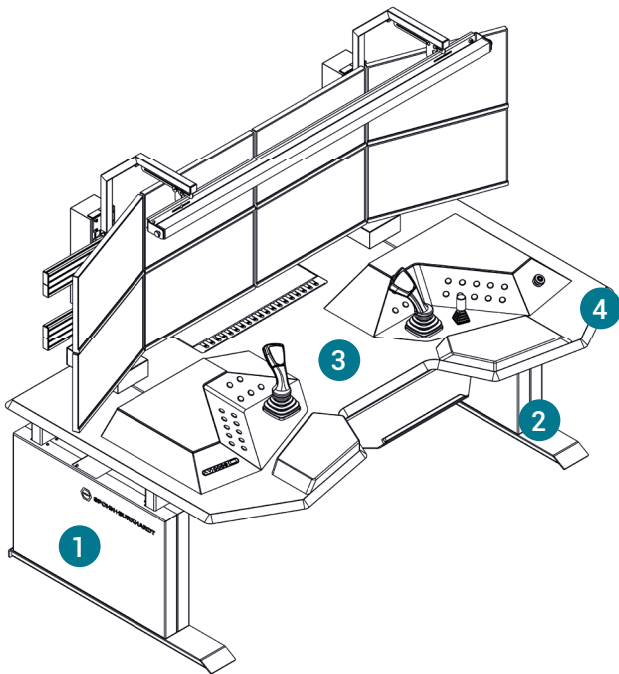
The Spohn & Burkhardt Remote-Control-Desk, a multifunctional remote control station for cranes, is the alternative to operator control stations in crane cabins.

Equipped with ergonomically arranged joysticks and control devices as well as a visualization of the working environment by cameras, the RCD offers a safe and comfortable workplace for controlling cranes from control rooms. This eliminates the time-consuming climb to large port cranes in extensive port facilities for crane drivers and at the same time opens up the possibility of operating different cranes from one workplace.

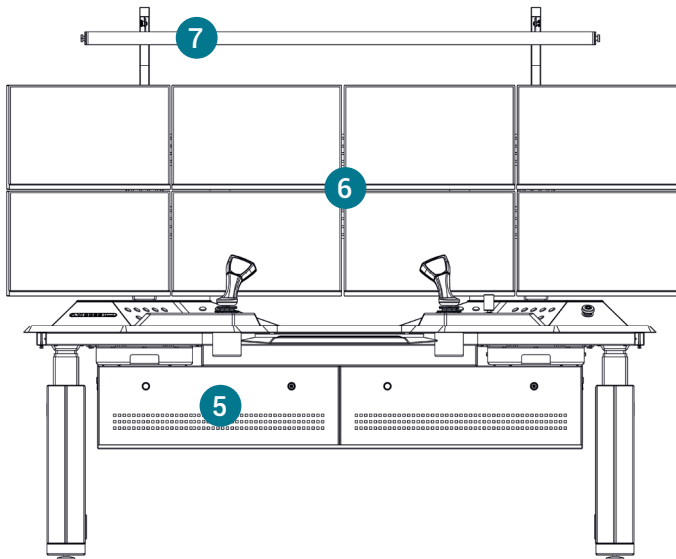
The use of an RCD is not only suitable in the port area but also in waste incineration and recycling plants as well as in the oil, gas

and steel industries. Simply anywhere where varied work, both sitting and standing, supports the safety and health of employees in 24/7 operation. This RCD not only offers a large height adjustment range from 650 to 1300 mm with Safety Stop, but also a single or two-rowed monitor rail for a maximum of 8 monitors, which can be adjusted motorized to the eye level of the respective operator.

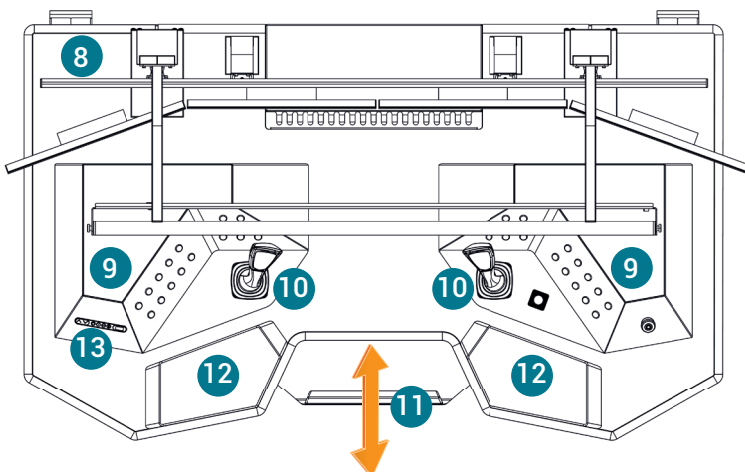
Further optional equipment features such as a technology cabinet, fixed or moved with tabletop, work lighting and application-specific control elements (Joysticks, control devices, computer keyboard, touch screens, ...) on the high-quality tabletop complete the product. To complete the workplace, we offer suitable, comfortable 24/7 chairs.



- 1 Cable routing from technology cabinet in base frame in energy chains, removeable side panels, graphite black powder-coated
- 2 Robust foot base
- 3 Freely available space for tablet, mouse, ...
- 4 Softform edge

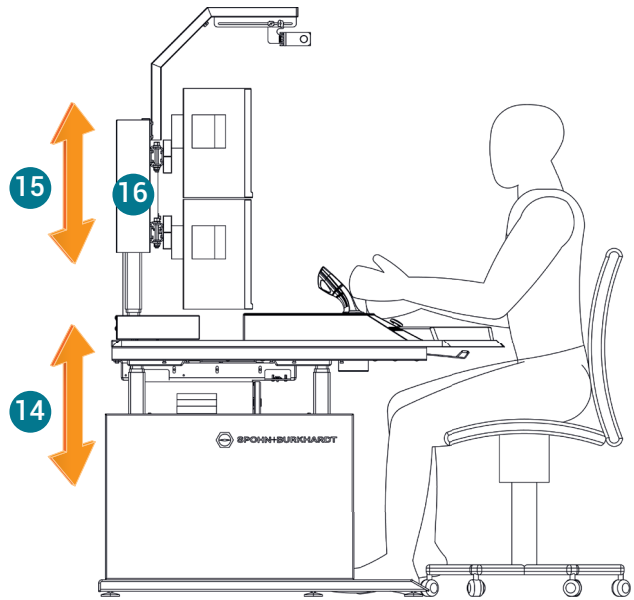


- 5 Technology cabinet moving with tabletop, ventilation through perforated plug-in doors
- 6 Monitor attachment to 1- or 2-rowed monitor rail
- 7 Workplace lighting, dimmable

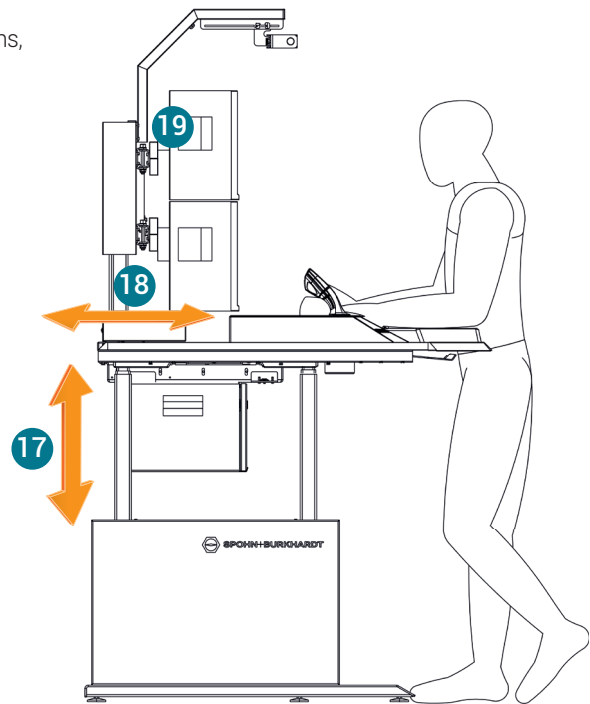


- 8 High-quality multiplex tabletop 2000 mm wide, melamine coated, white, anti-fingerprint
- 9 Dashboards, powder-coated for individual equipment with control devices
- 10 Installation space for joysticks
- 11 Keyboard tray
- 12 Upholstered armrests
- 13 Control devices for table and rail adjustments

- 14 Motorised stepless table height adjustment. Adjustment range 650 to 1300 mm
- 15 Motorised height adjustment of monitor rail
- 16 Cable routing from rail into technology cabinet in energy chains



- 17 Lifting system for seated or standing work with 4 lifting columns, safety stop, memory function
- 18 Motorised depth adjustment monitor rail
- 19 Slewable and inclinable monitor arm with VESA flange

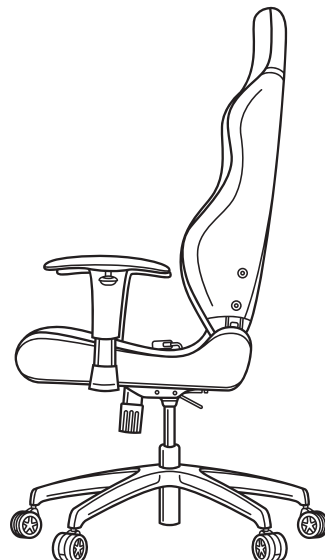


**Options:**

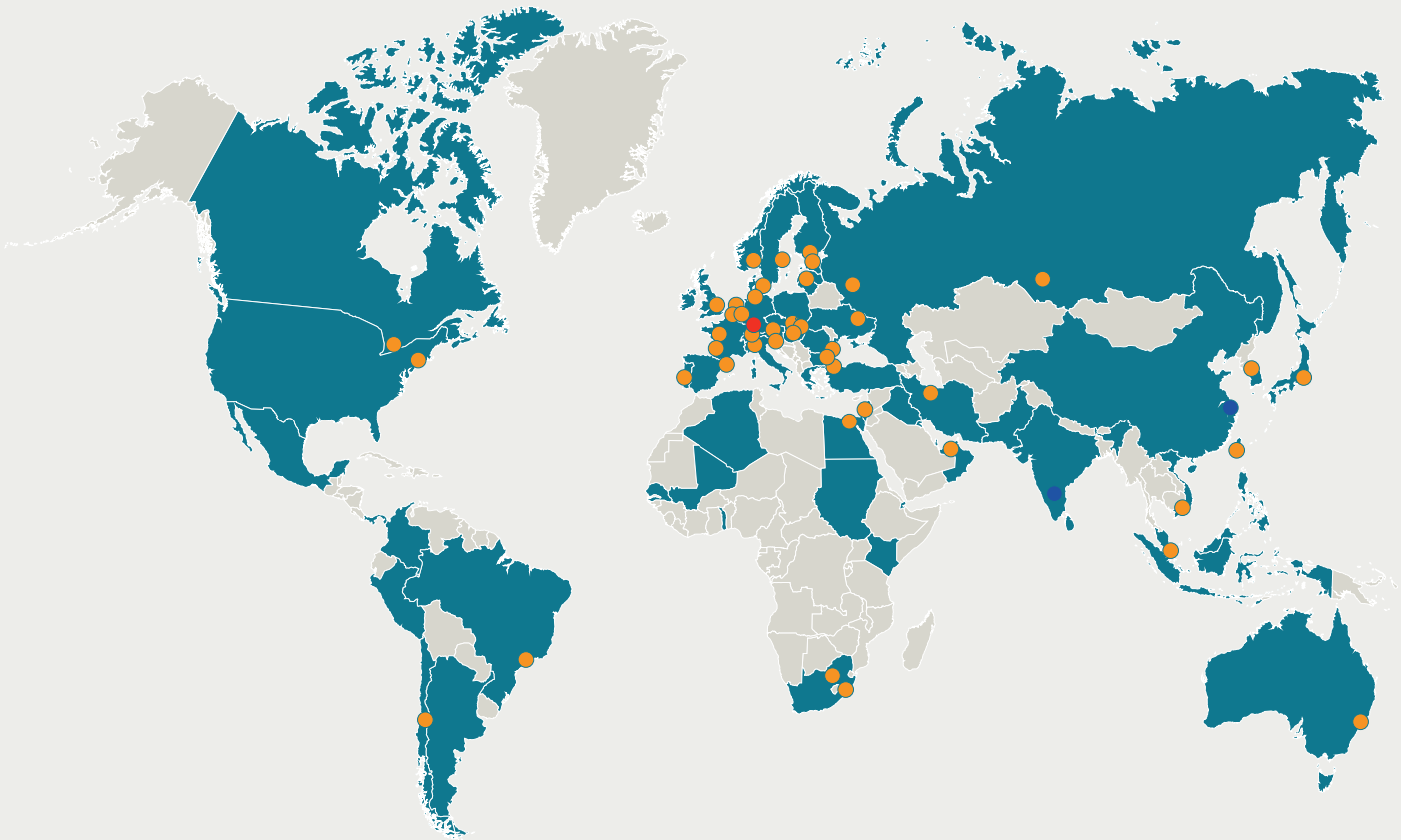
- Fixed technology cabinet
- Customised colouring/logo
- Monitor rail fixed

**24/7 chair**

- Headrest
- Schukra/lumbar support
- Seat cushion depth adjustment
- Height adjustment
- High quality fabric or leather upholstery



## Representatives of Spohn + Burkhardt National and international



More than 65 representatives in 45 countries  
Find out more on our website [www.spobu.com](http://www.spobu.com)

**Spohn & Burkhardt GmbH & Co. KG**

Mauergasse 5  
89143 Blaubeuren/Germany  
Postfach 1163  
89135 Blaubeuren /Germany

Tel.: +49 7344 171-0

E-mail: [info@spobu.de](mailto:info@spobu.de)  
Internet: [www.spobu.com](http://www.spobu.com)