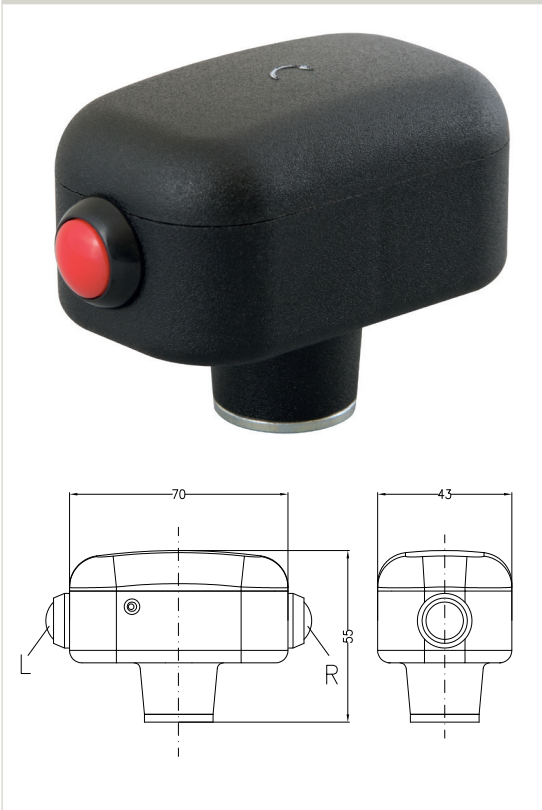


G13

T-handle with optional twisting function.

Example



Notes:

Adapter: 8 = for joystick ST0, CS1-V, VCS0, VNS0
 12 = for joystick CS1-E, NNS0, NS3, HS2
 SO = special adapter

Switching capacities of contacts see sheet TI-G-G13
 Contact circuits rotatable version see sheet TI-G-G13.

• Notes on handle wiring and maximum number of cores, see sheet G-V.

Version

Handle without inserts adapter 8 or 12	G13-8 / G13-12	
Handle without inserts for mechanical zero locking in combination with a joystick adapter 8 or 12	G13Z-8 / G13Z-12	
Special adapter	SO	

Inserts/Options for handle G13

Pushbuttons, protection caps		see sheet G-B-1/2
Capacitive hand detection sensor		see E-Electronic-2

Twist handle version

latching 1-step to the left	S1L	
latching 1-step to the right	S1R	
latching 2-steps to the left	S2L	
latching 2-steps to the right	S2R	
latching 1-step left and right	S11	
latching 2-steps left and right	S22	
momentary 1-step to the left	T1L	
momentary 1-step to the right	T1R	
momentary 2-steps to the left	T2L	
momentary 2-steps to the right	T2R	
momentary 1-step left and right	T11	
momentary 2-steps left and right	T22	

Type code:



Cap colours:

