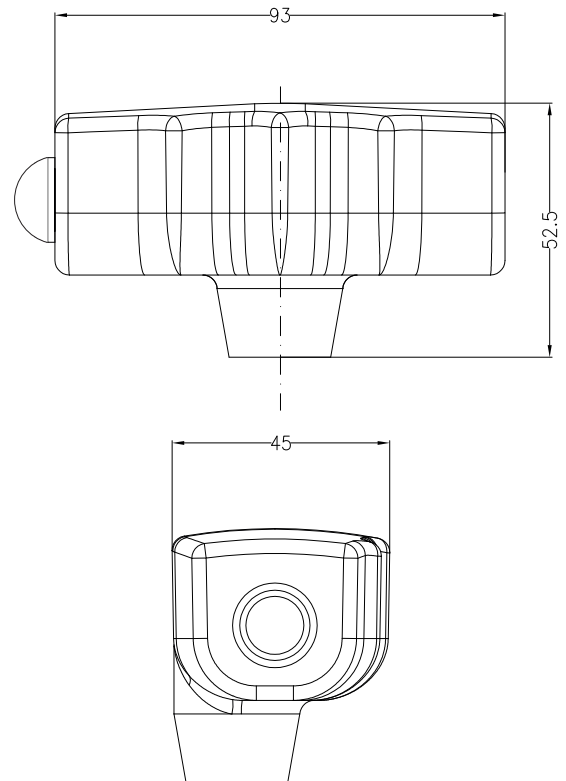


G1

T-handle, ergonomically shaped.



The compact T-handle offers on the left and right side the possibility of fitting one pushbutton with a flat or high cap. The pushbuttons are available as NO or NO/NC. Furthermore, the installation of a capacitive hand detection sensor for fatigue-free work is possible.

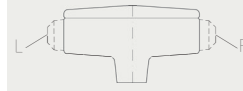
The handle is available with mounting adapters for the different Spobu joysticks, for mounting on other joysticks a few special mounting adapters are available too.

Specially designed for Spobu joysticks with 8 mm lever diameter, a swiveling adapter is available for the adjustment to the respective operator. Furthermore, the handle is available with deadman function, i.e. by pushing down the handle, an electrical contact is closed.

Versions

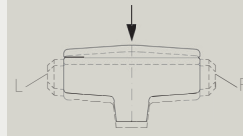
G1

Handle without inserts,
Adapter 8 or 12



G1-TU

Handle with dead man by pressing down,
1NO 1NC, max. 24 VDC-2A,
Adapter 8 or 12



G1-KT

Handle with capacitive hand detection sensor
including evaluation electronics ESS080A,
Adapter 8 or 12



Options

Pushbutton flat or high, 1NO, coloured cap

see sheet G-B-1/2

Pushbutton flat or high, 1NO 1NC, coloured cap

see sheet G-B-1/2

Special adapter

Handle swiveling (in combination with 8 mm Spobu lever)

Handle with dead man by pressing down,
1NO 1NC, max. 230 VAC

Type code:

G1	8					
G1-TU	12					
G1-KT	SO	LFS	BK	RFS	WH	

Type _____
 Adapter _____
 Inserts with position, type and colour information _____

Adapter: 8 = for joystick ST0, CS1-V, VCS0, VNS0
 12 = for joystick CS1-E, NNS0, VNS2, NS3, HS2
 SO = Special adapter

- Notes on handle wiring and maximum number of cores, see sheet G-V.