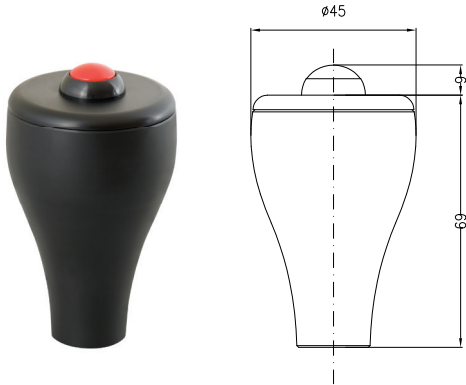


G21

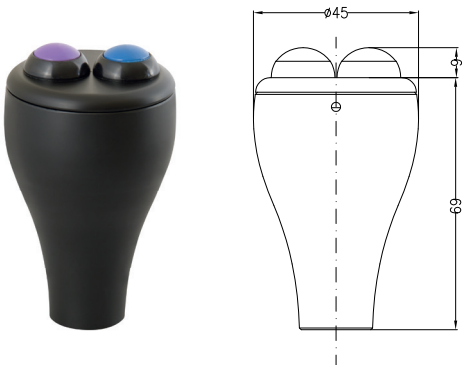
Handles Ø45 with or without fittings.

Examples

G21-8-FS-RD



G21-8-FS-VT-FS-BU



G21ZV-8-FS-RD



Version

Handle for maximum 2x pushbutton, pushbuttons see options, adapter for Spobu lever 8 or 12 mm

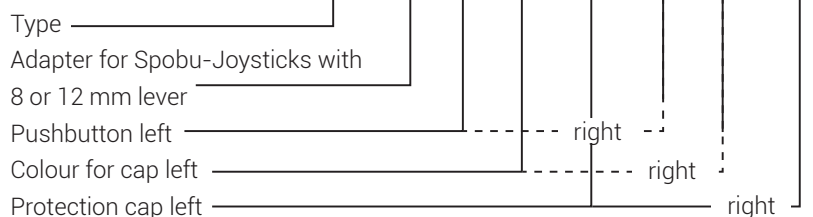
Top plate low, flat, standard	G21	
Top plate high, flat	G21H	
Top plate for sank-in pushbutton	G21V	
Handle for maximum 2x pushbutton, pushbuttons see options, Version for mechanical interlock system of joystick adapter for Spobu lever 8 or 12 mm		
Top plate low, flat, standard	G21Z	
Top plate high, flat	G21ZH	
Top plate for sank-in pushbutton	G21ZV	

Fittings/Options for handle G21

Pushbutton flat or high, 1NO, coloured cap, wired with single leads, 0.5 m long, AWG24	FSxx, HSxx	
Pushbutton flat or high, 1NO 1NC, coloured cap, wired with single leads, 0.5 m long, AWG24	FOSxx, HOSxx	
Protection cap for flat pushbuttons, transparent	RBF	
Protection cap for high pushbuttons, transparent	RBH	

Type code:

			YE		YE		
			OG		OG		
			RD		RD		
			VT		VT		
G21			BU		BU		
G21H			GN	FS	GN		
G21V	FS		BK	HS	BK		
G21Z	HS	BK	GY	RBF	FOS	GY	RBF
G21ZH	8	FOS	WH	RBH	HOS	WH	RBH
G21ZV	12	HOS					



Cap colours:

