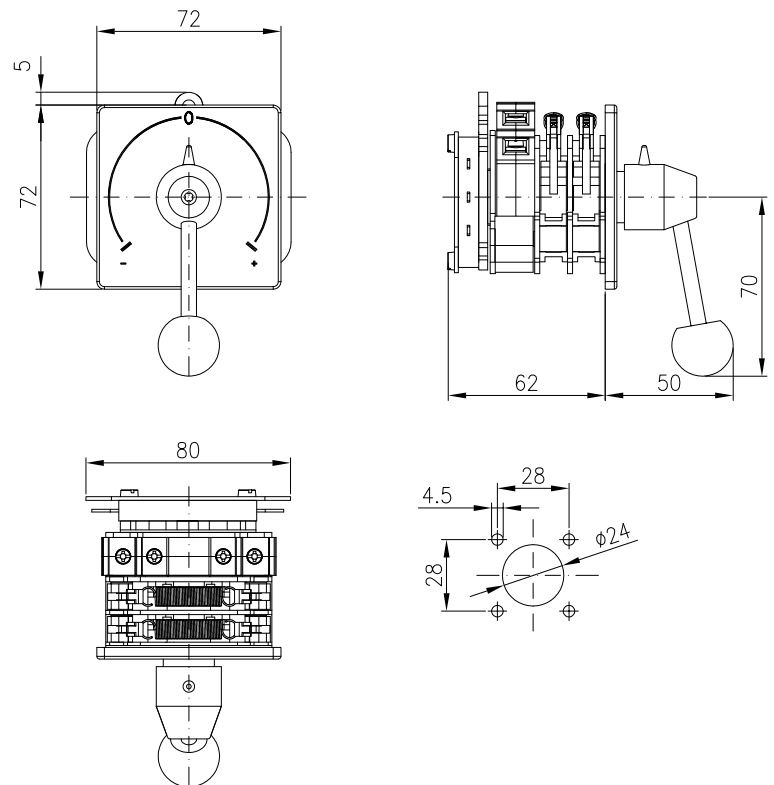
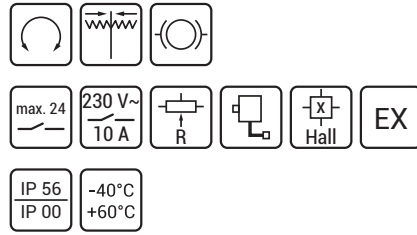


# NS00

Robust selector switch.



The NS00 is a robust rotary switch with a stable drive mechanism. The basis for this is a 6 mm metal square shaft which serves as a carrier for the cam carrier tube, which is also made of metal. Cams are fixed onto this carrier and are actuating the contacts depending on the angle of rotation. The individual contacts, in silver or gold plated version are embedded in double contact elements and can be coded with standard or customer-specific switching circuits.

The rotary switch can optionally be equipped with different handles

made of plastic or stainless steel. Black square aluminum escutcheon plates in various sizes or a nickel-plated round escutcheon plates with or without engraving serve as an optical finish over the front panel. Together with metal notching discs from our standard range or in a customer-specific version, flanged potentiometers or encoders, these rotary switches reliably solve control tasks in control panels, on deck control stations or control stations.

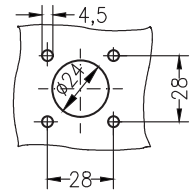
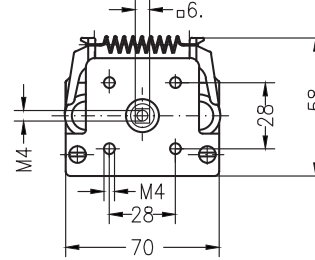
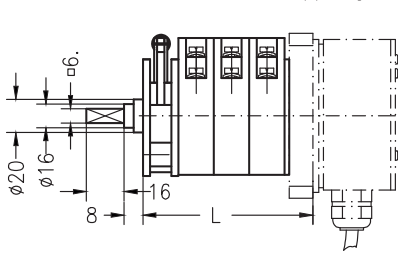
## Version drive of rotary switch

Type, frontplate	Scope of supply
<b>NS00...</b>	Drive block rotary switch with: <ul style="list-style-type: none"> <li>- Square shaft (6 mm) 8 mm long</li> <li>- Notching disc for standard contact circuits according to TI-S-1 ... S-4</li> </ul> without: <ul style="list-style-type: none"> <li>- Escutcheon plate</li> <li>- Handle</li> </ul>
<b>NS00-F...</b>	Drive block rotary switch with: <ul style="list-style-type: none"> <li>- Ball handle KG0 made of stainless steel without pointer *)</li> <li>- Black aluminum escutcheon plate 72x72 mm</li> <li>- Notching disc for standard contact circuits according to TI-S-1 ... S-4</li> </ul>
<b>NS00-FA...</b>	Drive block rotary switch with: <ul style="list-style-type: none"> <li>- Ball handle KG1 made of stainless steel without pointer *)</li> <li>- Black aluminum escutcheon plate 96x96 mm</li> <li>- Notching disc for standard contact circuits according to TI-S-1 ... S-4</li> </ul>
<b>NS00-FOD...</b>	Drive block rotary switch with: <ul style="list-style-type: none"> <li>- Degree of protection on the frontside IP56</li> <li>- Ball handle KG1 made of stainless steel without pointer *)</li> <li>- Watertight, nickel-plated round escutcheon plate 70 mm</li> <li>- Notching disc for standard contact circuits according to TI-S-1 ... S-4</li> </ul>
*) for delivery with engraving option: ball handle with pointer	
<b>Electrical characteristics</b>	see TI-1 (VNS0)
<b>Dimensions, design</b>	see TI-NS00-1/2



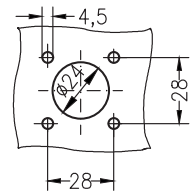
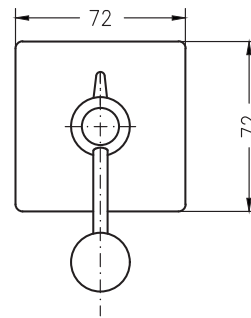
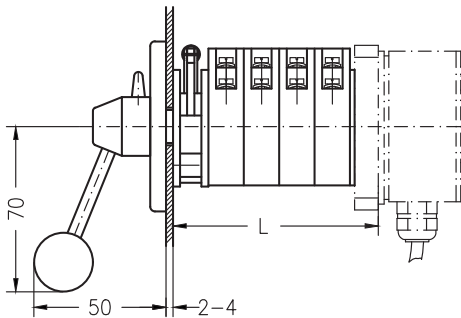
**Einsatzschalter NS00-**  
switch

Anzahl Doppelkontaktelemente number of double contact elements  
evtl. Kupplung für Geber attachment for transmitters



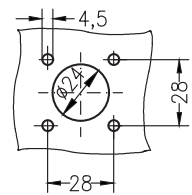
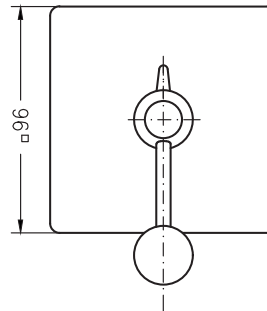
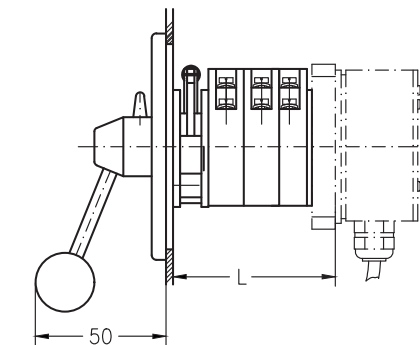
**Einsatzschalter mit Rosette 72x72 mm NS00-F**  
switch with escutcheon 72x72 mm

Anzahl Doppelkontaktelemente number of double contact elements



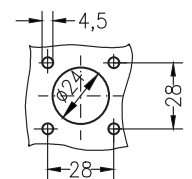
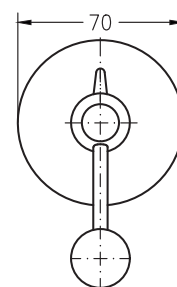
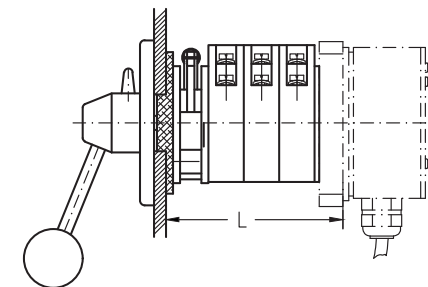
**Einsatzschalter mit Rosette 96x96 mm NS00-FA**  
switch with escutcheon 96x96

Anzahl Doppelkontaktelemente number of double contact elements



**Einsatzschalter mit wasserdichter Rundrosette NS00-FOD**  
switch with escutcheon plate  $\phi 70$  mm

Anzahl Doppelkontaktelemente number of double contact elements

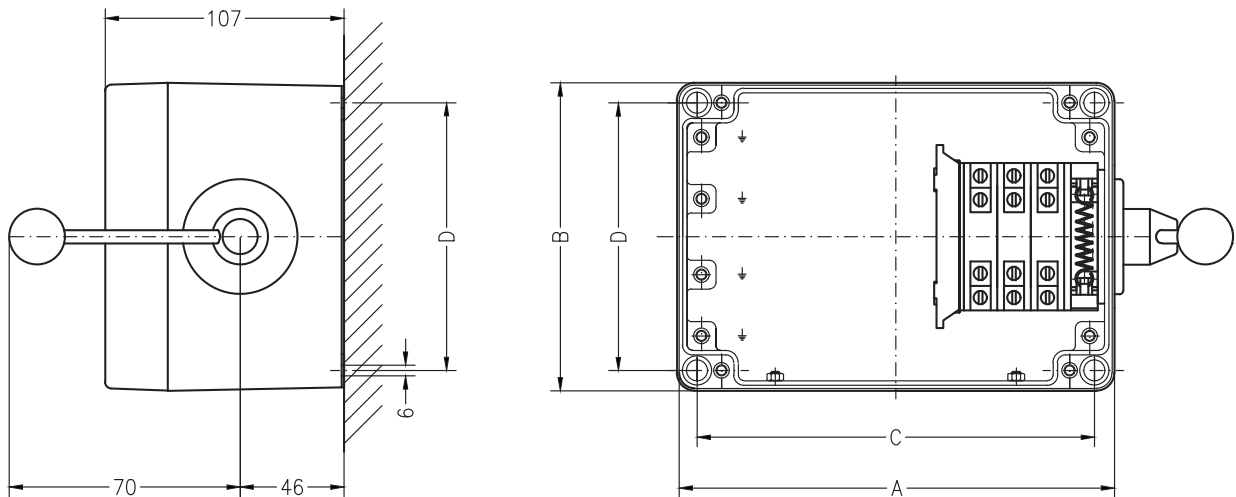


Schutzart frontseitig IP56  
degree of protection from the frontside IP56

**Anzahl Doppelkontaktelemente** number of double contact elements

mit Rastung with notches	NS001_	NS002_	NS003_	NS004_	NS005_	NS006_	NS007_	NS008_	NS009_	NS0010_
mit Rückzug with spring return	NS001_R		NS002_R	NS003_R	NS004_R	NS005_R	NS006_R	NS007_R	NS008_R	NS009_R
Länge length L mm	40	55	70	85	100	115	130	145	160	175
Gewicht weight ~ g	590	680	770	860	950	1040	1130	1220	1310	1400

mit zusätzlicher Reibbremse für Potentiometerbetrieb, Länge L + 15 mm.  
mit Doppelrastung L + 15 mm.  
with additional friction disc for potentiometer, length L + 15 mm  
with double notches, length L + 15 mm



Schutzart IP54  
 mit Kugelgriff  
 auf Wunsch: Knebelgriff  
 degree of protection IP54  
 with handle according  
 on request: knob

ohne Selbstrückgang without spring return		mit Selbstrückgang with spring return		A	B	C	D	Gewicht ~kg weight ~kg
Typ Type	Anzahl Doppel- kontaktelemente number of double contact elements	Typ Type	Anzahl Doppel- kontaktelemente number of double contact elements					
NS 006 GA	1	NS 006 GAR	1	138	135	120	117	1,1
NS 006 GA	2	NS 006 GAR	2					1,2
NS 006 GA	3	NS 006 GAR	3					1,3
NS 006 GA	4	NS 006 GAR	4					1,4
NS 006 GA	5	NS 006 GAR	5					1,5
NS 006 GA	6							1,6
NS 0010 GA	7	NS 0010 GAR	6	196	138	178	120	1,8
NS 0010 GA	8	NS 0010 GAR	7					1,9