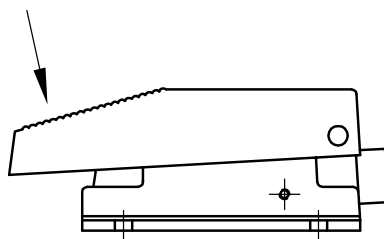


# SF, SF-OD

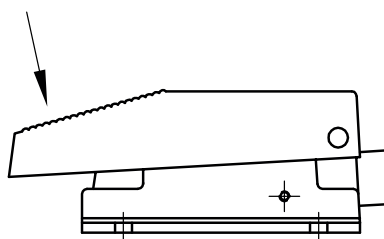
SF: IP 42 250 V~ 30 V= 5 A 2 A

SF-OD: IP 56 250 V~ 30 V= 5 A 2 A

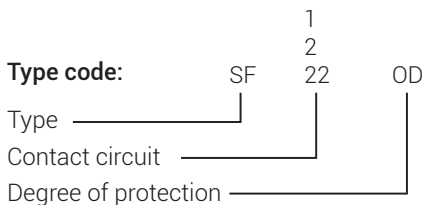
SF



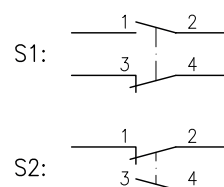
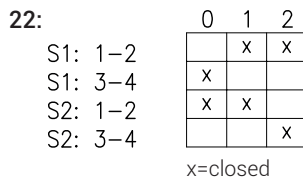
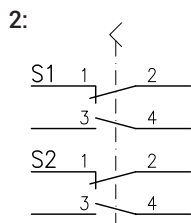
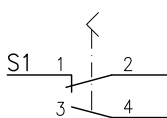
SF-OD



## Type code



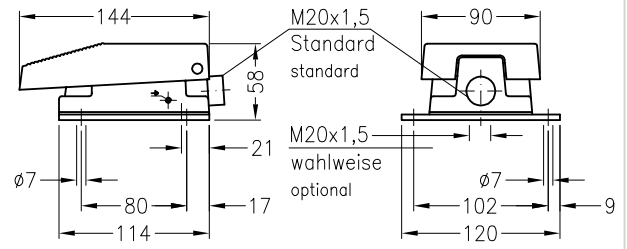
## Contact circuit:



Fußtaster SF  
foot pedal

SF\_ Schutzart IP42  
degree of protection IP42

SF\_0d Schutzart IP56  
degree of protection IP56

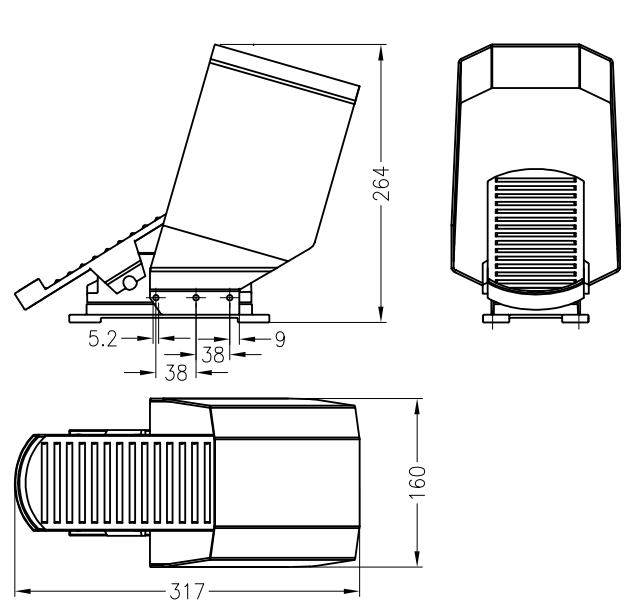
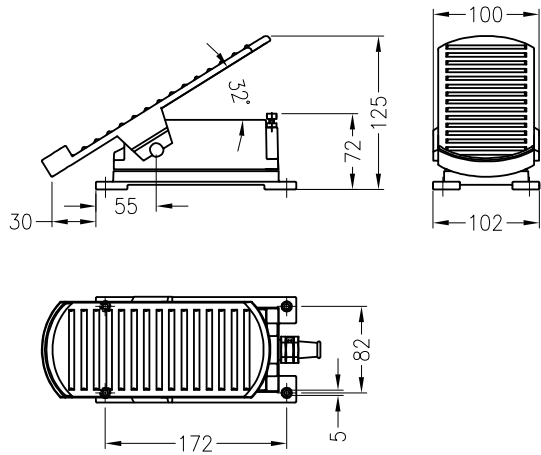


Fußtaster FST  
foot pedal

Schutzart IP54  
degree of protection IP54

Fußtaster FSTS  
foot pedal

Schutzart IP54  
degree of protection IP54



Fußtaster FPS/FPW  
foot pedal

Schutzart IP42  
degree of protection IP42

